



13

Atraumatische Klemmen  
Atraumatic Forceps  
Pincés atraumatique  
Pinzas atraumatico  
Pinze atraumatico

Atraumatische gefäß Klemmen  
 Atraumatic hemostatic forceps  
 Pinces hemostatiques atraumatiques  
 Pinzas hemostáticas atraumáticas  
 Pinze emostatiche atraumatiche



cm — HALSTEAD-MOSQUITO —  
 12,0 13.080.12 13.081.12  
 15,0 13.080.15 13.081.15



cm — PEAN —  
 14,0 13.082.14 13.083.14  
 16,0 13.082.16 13.083.16  
 18,0 13.082.18 13.083.18  
 20,0 13.082.20 13.083.20



cm — RANKIN —  
 16,0 13.084.16  
 13.085.16



cm — DE BAKEY —  
 12,0 13.102.12 13.103.12



DE BAKEY  
 13.111.12  
 12,0 cm

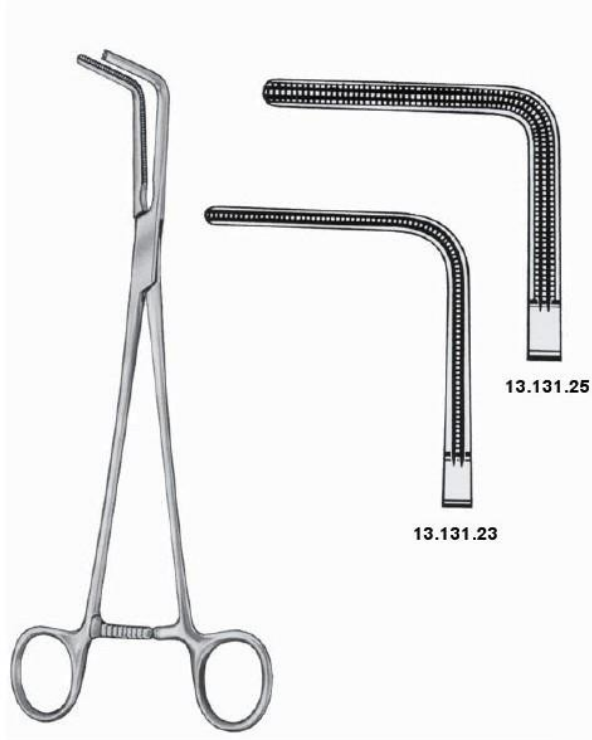


DE BAKEY  
 13.113.12  
 12,0 cm



DE BAKEY  
 13.121.12  
 12,0 cm

Atraumatische gefäß Klemmen  
 Atraumatic hemostatic forceps  
 Pinces hemostatiques atraumatiques  
 Pinzas hemostáticas atraumáticas  
 Pinze emostatiche atraumatiche



cm	LEES
23,0	<b>13.131.23</b>
25,0	<b>13.131.25</b>

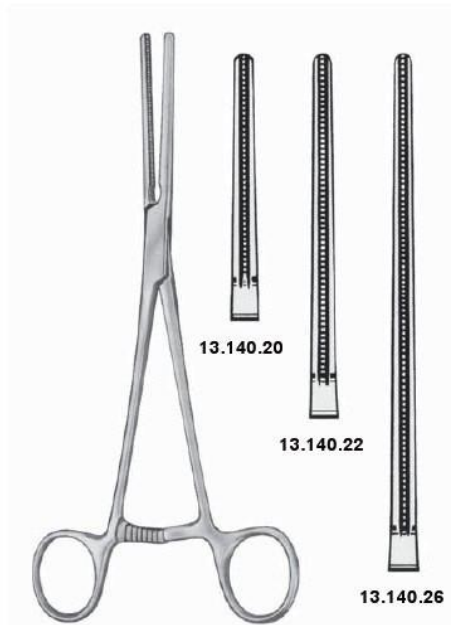
Bronchusklemmen  
 Bronchus Forceps  
 Pinces-Clamps à Bronches  
 Pinzas clamps bronquiales  
 Pinze per bronchi



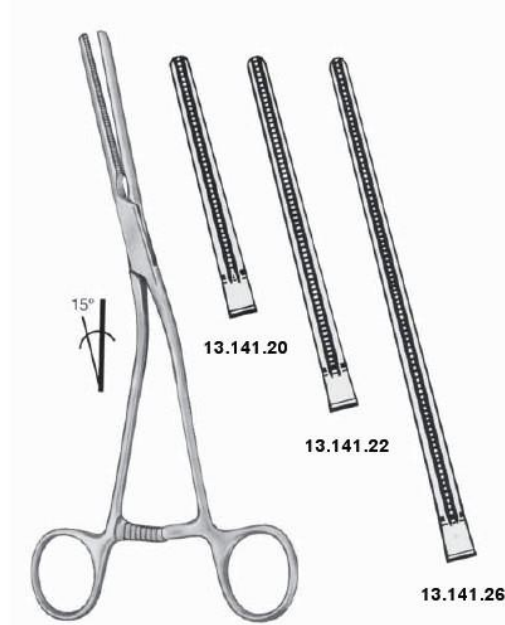
LEES  
**13.133.25**  
 25,0 cm

Atraumatische gefäß Klemmen  
 Atraumatic hemostatic forceps  
 Pinces hemostatiques atraumatiques  
 Pinzas hemostáticas atraumáticas  
 Pinze emostatiche atraumatiche

Coarctationsklemmen  
 Coarction Clamps  
 Pinces à coarctacion  
 Pinzas para coarctación  
 Pinze per coartazione



cm	POTTS
20,0	<b>13.140.20</b>
22,5	<b>13.140.22</b>
26,0	<b>13.140.26</b>



cm	GLOVER
20,0	<b>13.141.20</b>
22,5	<b>13.141.22</b>
26,0	<b>13.141.26</b>

Atraumatische gefäß Klemmen  
 Atraumatic hemostatic forceps  
 Pincers hemostatiques atraumatiques  
 Pinzas hemostáticas atraumáticas  
 Pinze emostatiche atraumatiche

Anastomosenklemmen  
 Anastomosis Clamps  
 Pincers à anastomose  
 Pinzas para anastomosis  
 Pinze per anastomosi



13.151.21

13.151.24

cm POTTS / GLOVER  
 21,0 13.151.21  
 24,0 13.151.24

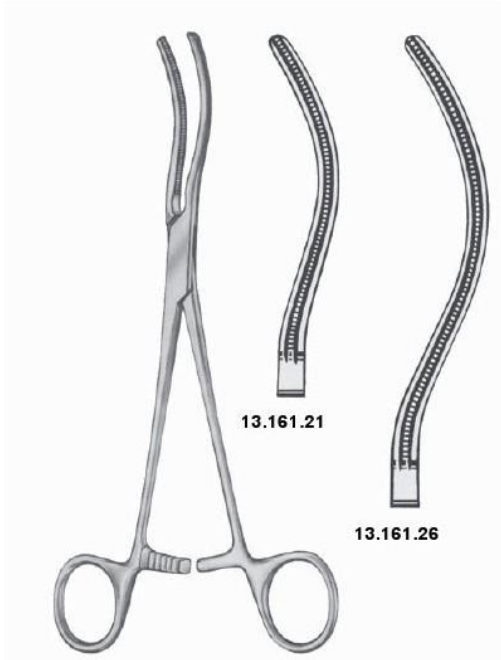


13.153.18

13.153.22

cm GLOVER  
 18,0 13.153.18  
 22,0 13.153.22

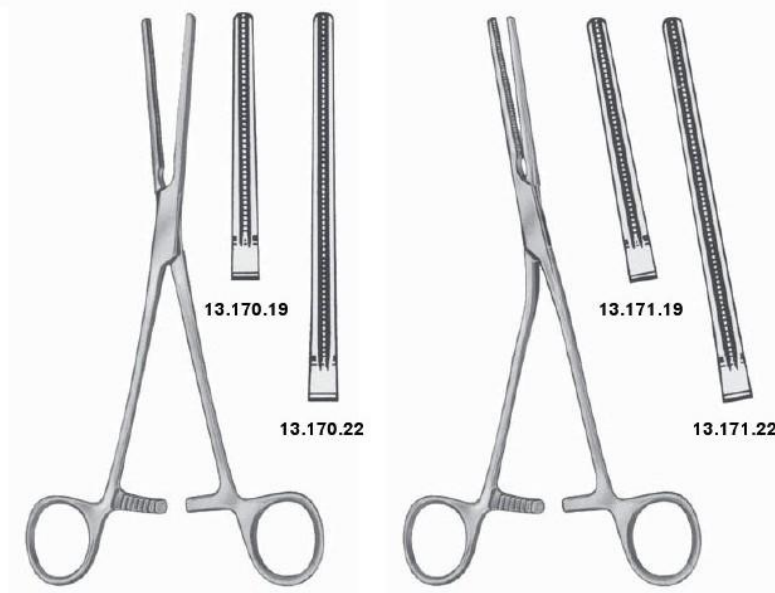
Vascularklemme löffelförmig  
 Vascular Clamps Spoon Shaped  
 Pince vasculaire forme cuiller  
 Pinza vascular forma cuchara



cm	GLOVER
21,0	<b>13.161.21</b>
26,0	<b>13.161.26</b>

Atraumatische gefäß Klemmen  
 Atraumatic hemostatic forceps  
 Pincés hemostáticos atraumáticos  
 Pinzas hemostáticas atraumáticas  
 Pinze emostatiche atraumatiche

Peripher-Vascularklemmen  
 Peripheral Vascular Forceps  
 Pincés vasculaires périph.  
 Pinzas vasculares perif.  
 Pinze vascolari perif.



cm	DE BAKEY
18,0	<b>13.170.19</b>
22,0	<b>13.170.22</b>




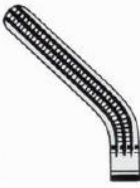
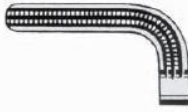
cm	DE BAKEY
18,0	<b>13.171.19</b>
22,0	<b>13.171.22</b>





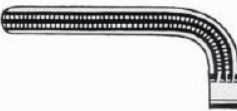
Atraumatische gefäß Klemmen  
 Atraumatic hemostatic forceps  
 Pincas hemostatiques atraumaticas  
 Pinzas hemostáticas atraumáticas  
 Pinze emostatiche atraumatiche

Atraumatische Mehrzweck klemmen  
 Atraumatic Multi-Purpose Clamps  
 Pincas-clamps polyvalentes  
 Pinzas clamps para usos varios  
 Pinze atraumatiche per diversi usi



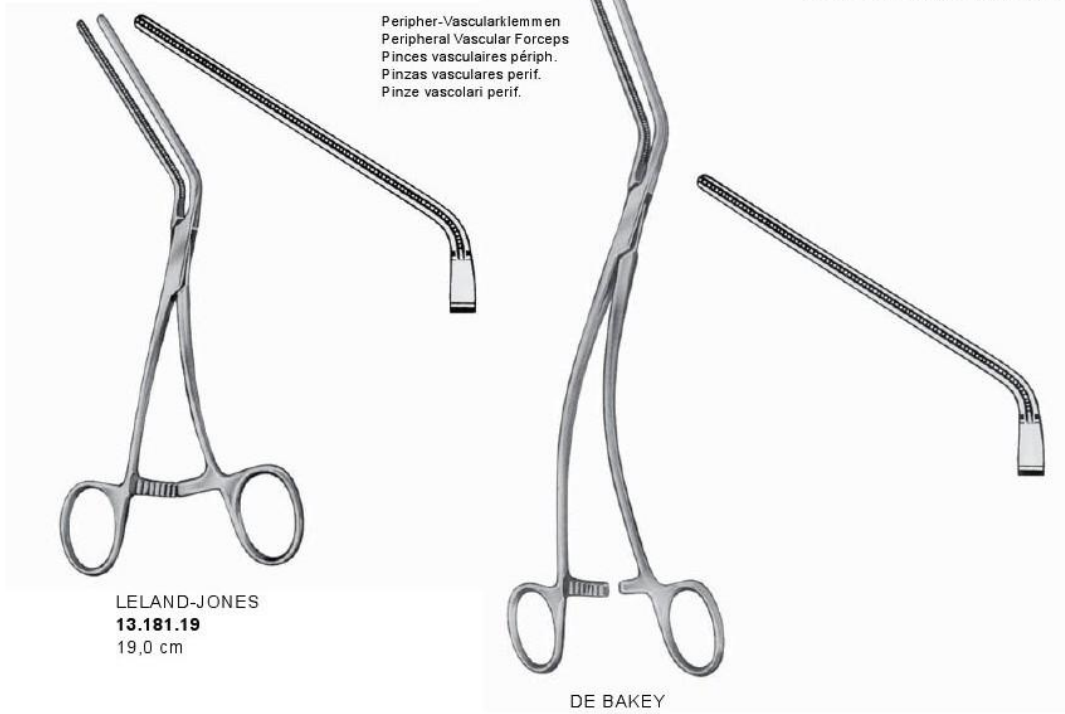
DARDIK

					
cm	0°	15°	30°	45°	90°
14,0	--	--	--	--	<b>13.172.90</b>
15,0	<b>13.172.00</b>	<b>13.172.15</b>	<b>13.172.30</b>	<b>13.172.45</b>	--

					
cm	0°	15°	30°	45°	90°
16,0	--	--	--	--	<b>13.174.90</b>
17,0	<b>13.174.00</b>	<b>13.174.15</b>	<b>13.174.30</b>	<b>13.174.45</b>	--



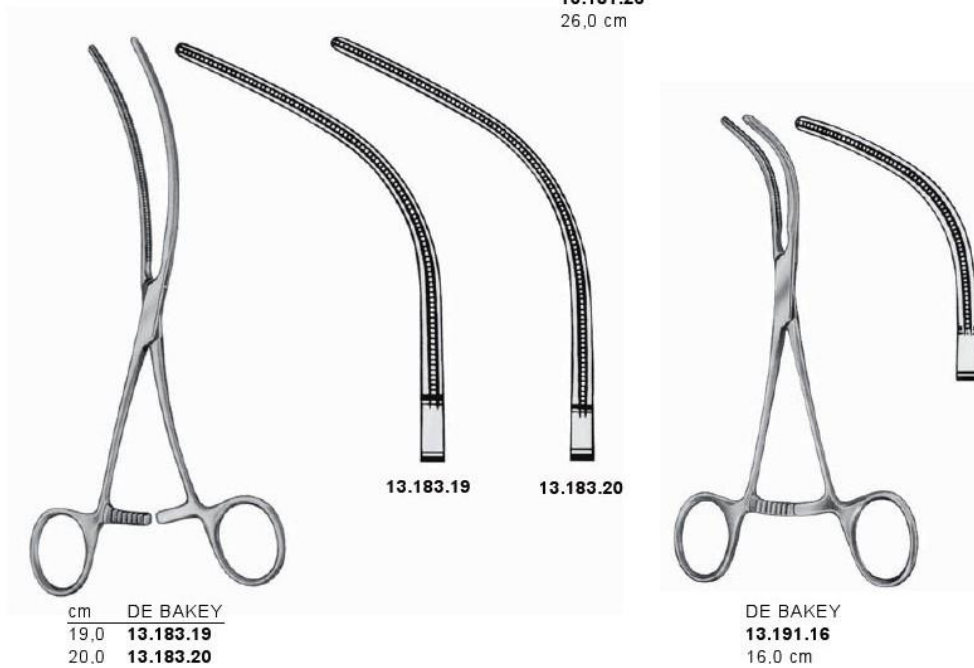
Atraumatische gefäß Klemmen  
 Atraumatic hemostatic forceps  
 Pincas hemostatiques atraumaticas  
 Pinzas hemostáticas atraumáticas  
 Pinze emostatiche atraumatiche



Peripher-Vascularklemmen  
 Peripheral Vascular Forceps  
 Pincas vasculaires périph.  
 Pinzas vasculares perif.  
 Pinze vascolari perif.

LELAND-JONES  
**13.181.19**  
 19,0 cm

DE BAKEY  
**13.181.26**  
 26,0 cm



cm	DE BAKEY
19,0	<b>13.183.19</b>
20,0	<b>13.183.20</b>

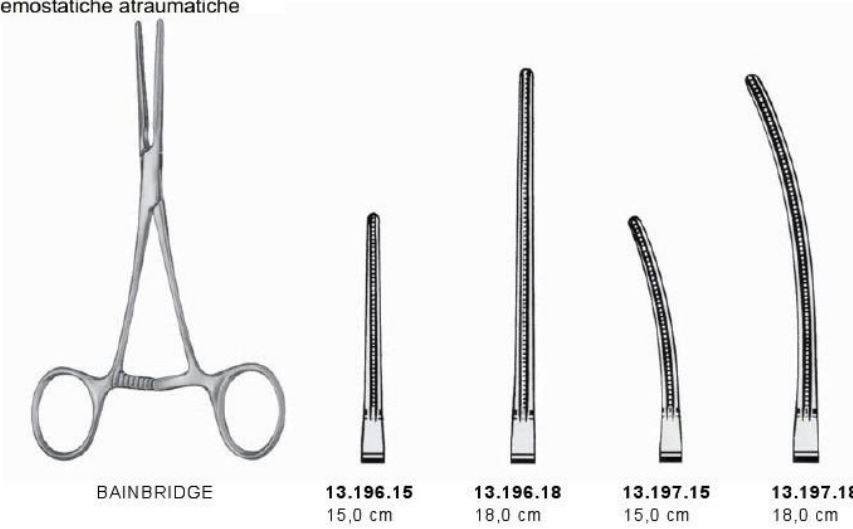
**13.183.19**

**13.183.20**

DE BAKEY  
**13.191.16**  
 16,0 cm



Atraumatische gefäß Klemmen  
 Atraumatic hemostatic forceps  
 Pincès hemostatiques atraumatiques  
 Pinzas hemostáticas atraumáticas  
 Pinze emostatiche atraumatiche



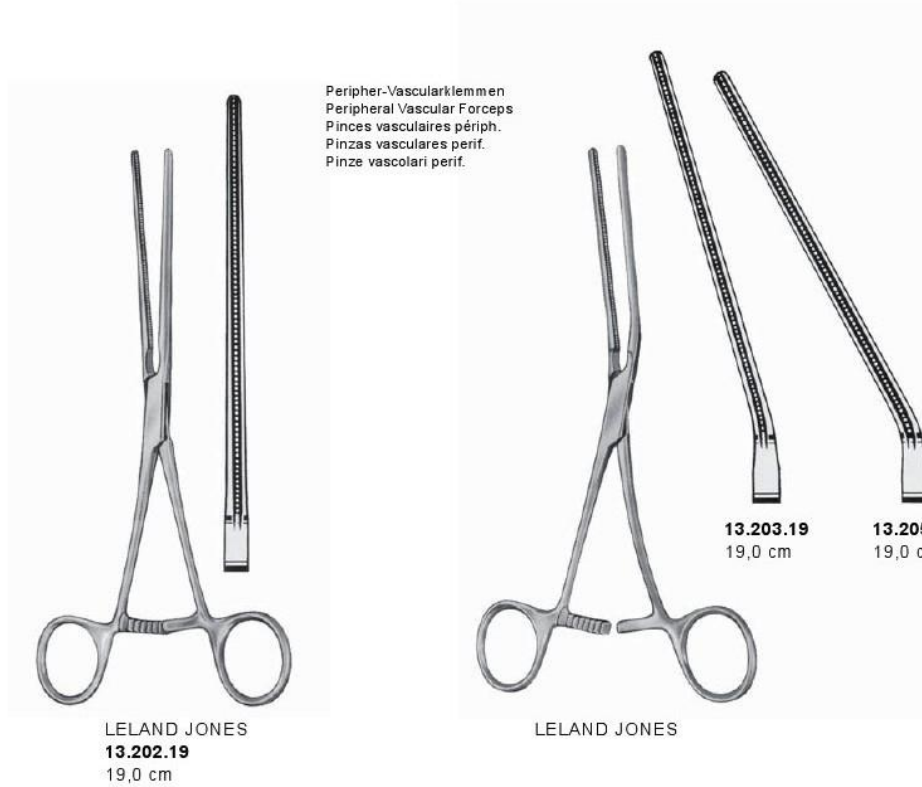
BAINBRIDGE

**13.196.15**  
15,0 cm

**13.196.18**  
18,0 cm

**13.197.15**  
15,0 cm

**13.197.18**  
18,0 cm



Peripher-Vascularklemmen  
 Peripheral Vascular Forceps  
 Pincès vasculaires périph.  
 Pinzas vasculares perif.  
 Pinze vascolari perif.

LELAND JONES  
**13.202.19**  
 19,0 cm

LELAND JONES

**13.203.19**  
19,0 cm

**13.205.19**  
19,0 cm

Atraumatische gefäß Klemmen  
Atraumatic hemostatic forceps  
Pinces hemostatiques atraumatiques  
Pinzas hemostáticas atraumáticas  
Pinze emostatiche atraumatiche

Aortaklemmen  
Aortic Clamp  
Pince-clamp à aorte  
Pinza clamp para aorta  
Pinza per aorta



LIDDLE  
13.209.27  
27,0 cm

Aorta-Anastomosenklemmen  
Aorta-Anastomosis Clamps  
Pinces-clamps pour anastomoses d'aorte  
Pinzas clamps para anastomosis de aorta  
Pinze aortiche



LAMBERT KAY  
13.211.20  
20,0 cm

Atraumatische gefäß Klemmen  
Atraumatic hemostatic forceps  
Pincés hemostáticos atraumáticos  
Pinzas hemostáticas atraumáticas  
Pinze emostatiche atraumatiche

Iliaca-Klemme  
Iliac Clamp  
Pince-clamp à iliaque  
Pinza clamp para iliaca  
Pinza per iliaca



LAMBERT KAY  
13.213.20  
20,0 cm



DE BAKEY  
13.215.20  
20,0 cm

Atraumatische gefäß Klemmen  
Atraumatic hemostatic forceps  
Pinces hemostatiques atraumatiques  
Pinzas hemostáticas atraumáticas  
Pinze emostatiche atraumatiche



WEBER  
13.217.26  
26,0 cm



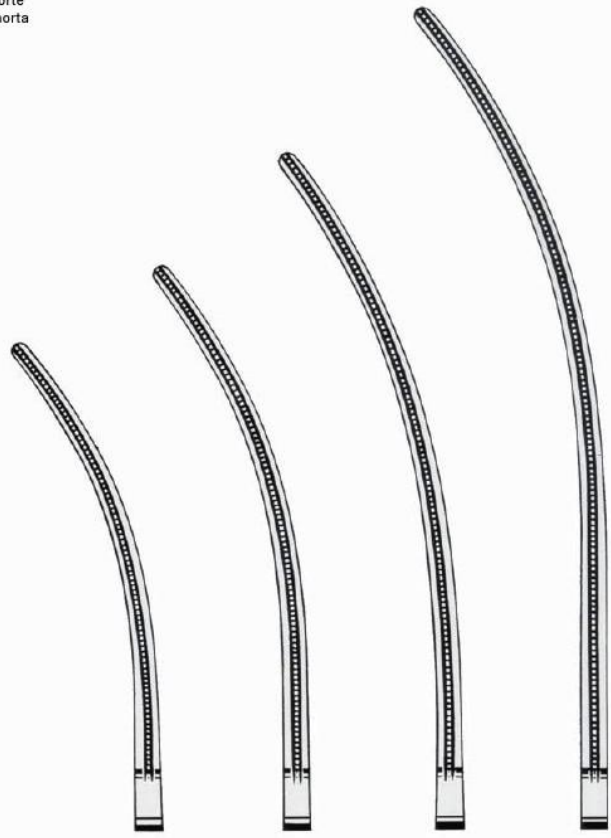
WEBER  
13.219.26  
26,0 cm

Atraumatische gefäß Klemmen  
Atraumatic hemostatic forceps  
Pincas hemostatiques atraumaticas  
Pinzas hemostáticas atraumáticas  
Pinze emostatiche atraumatiche

Aorta-Aneurysma-Klemmen  
Aorta-Aneurysm Clamps  
Pincas-clamps pour aneurysme d'aorte  
Pinzas clamps para aneurisma de aorta  
Pinze per aneurisma di aorta



DE BAKY



13.221.24  
13.221.35  
24,0 cm

13.221.27  
27,0 cm

13.221.31  
31,0 cm

35,0 cm

Atraumatische gefäß Klemmen  
Atraumatic hemostatic forceps  
Pinces hemostatiques atraumatiques  
Pinzas hemostáticas atraumáticas  
Pinze emostatiche atraumatiche

Aorta-Aneurysma-Klemmen  
Aorta-Aneurysm Clamps  
Pinces-clamps pour aneurysme d'aorte  
Pinzas clamps para aneurisma de aorta  
Pinze per aneurisma di aorta



Atraumatische gefäß Klemmen  
Atraumatic hemostatic forceps  
Pinces hemostatiques atraumatiques  
Pinzas hemostáticas atraumáticas  
Pinze emostatiche atraumatiche

Aorta-Aneurysma-Klemmen  
Aorta-Aneurysm Clamps  
Pinces-clamps pour aneurysme d'aorte  
Pinzas clamps para aneurisma de aorta  
Pinze per aneurisma di aorta



DE BAKEY  
**13.225.28**  
28,0 cm



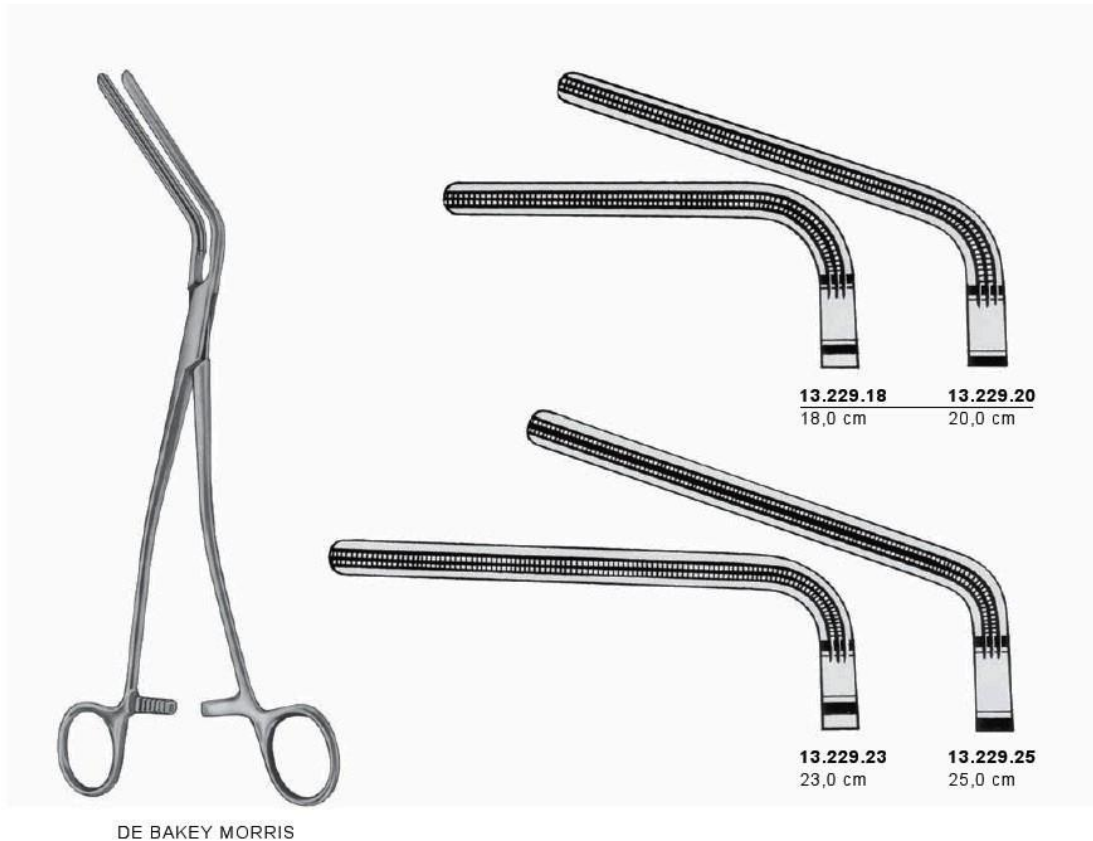
DE BAKEY  
**13.227.28**  
28,0 cm



ATRAUMATISCHE GEFÄß KLEMMEN  
Pinces hémostatiques atraumatiques

Atraumatische gefäß Klemmen  
Atraumatic hemostatic forceps  
Pinces hémostatiques atraumatiques  
Pinzas hemostáticas atraumáticas  
Pinze emostatiche atraumatiche

Atraumatische Mehrzweckklemmen  
Atraumatic Multi-Purpose Clamps  
Pinces-clamps polyvalentes  
Pinzas clamps para usos varios  
Pinze atraumatiche per diversi usi



Atraumatische gefäß Klemmen  
Atraumatic hemostatic forceps  
Pinces hemostatiques atraumatiques  
Pinzas hemostáticas atraumáticas  
Pinze emostatiche atraumatiche

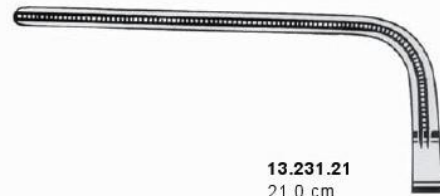
Atraumatische Mehrzweckklemmen  
Atraumatic Multi-Purpose Clamps  
Pinces-clamps polyvalentes  
Pinzas clamps para usos varios  
Pinze atraumatiche per diversi usi



DE BAKEY



13.231.18  
18,0 cm



13.231.21  
21,0 cm



13.231.23  
23,0 cm



13.231.27  
27,0 cm

Atraumatische gefäß Klemmen  
Atraumatic hemostatic forceps  
Pinces hemostatiques atraumatiques  
Pinzas hemostáticas atraumáticas  
Pinze emostatiche atraumatiche

Aorta-Aneurysma-Klemmen  
Aorta-Aneurysm Clamps  
Pinces-clamps pour aneurysme d'aorte  
Pinzas clamps para aneurisma de aorta  
Pinze per aneurisma di aorta

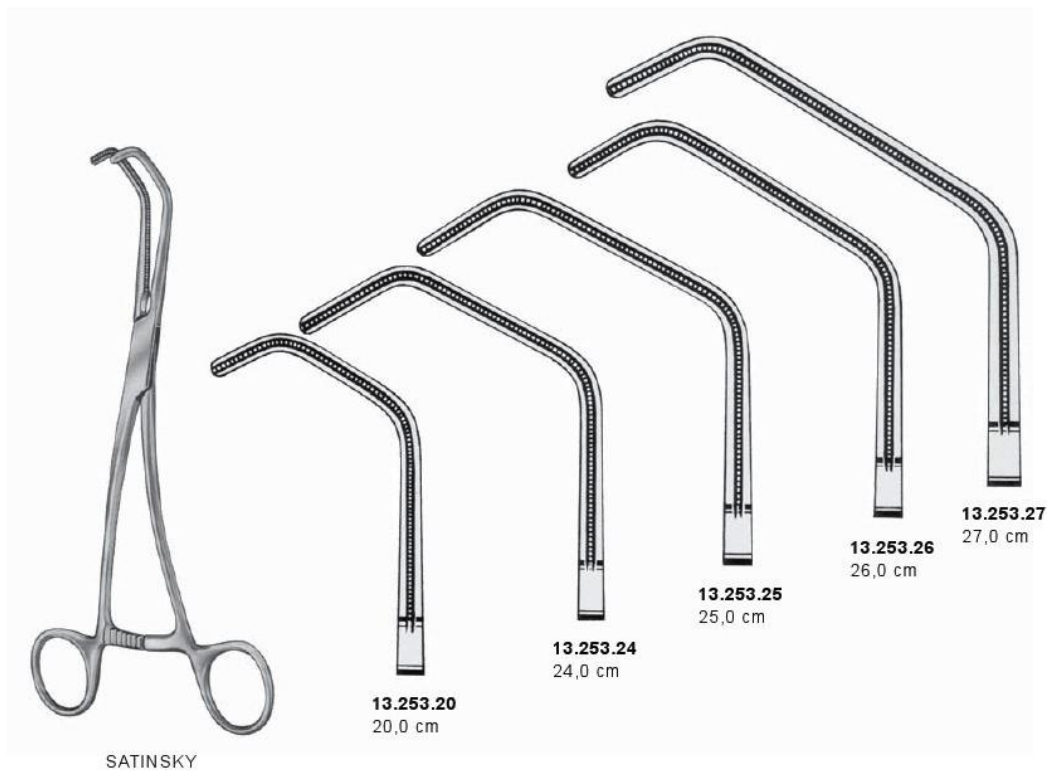


Atraumatische gefäß Klemmen  
Atraumatic hemostatic forceps  
Pinces hemostatiques atraumatiques  
Pinzas hemostáticas atraumáticas  
Pinze emostatiche atraumatiche

Bronchus-Klemmen  
Bronchus Clamps  
Pinces pour les bronches  
Pinzas bronquiales  
Pinze per bronchi

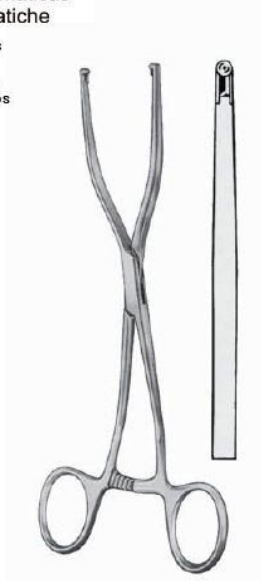


DE BAKEY  
13.247.27  
27,0 cm



Atraumatische gefäß Klemmen  
 Atraumatic hemostatic forceps  
 Pincers hemostatiques atraumatiques  
 Pinzas hemostáticas atraumáticas  
 Pinze emostatiche atraumatiche

Anlegezange für Clips  
 Applying for Clips  
 Applicateur pour clips  
 Pinza para aplicar clips  
 Applicatore per clips

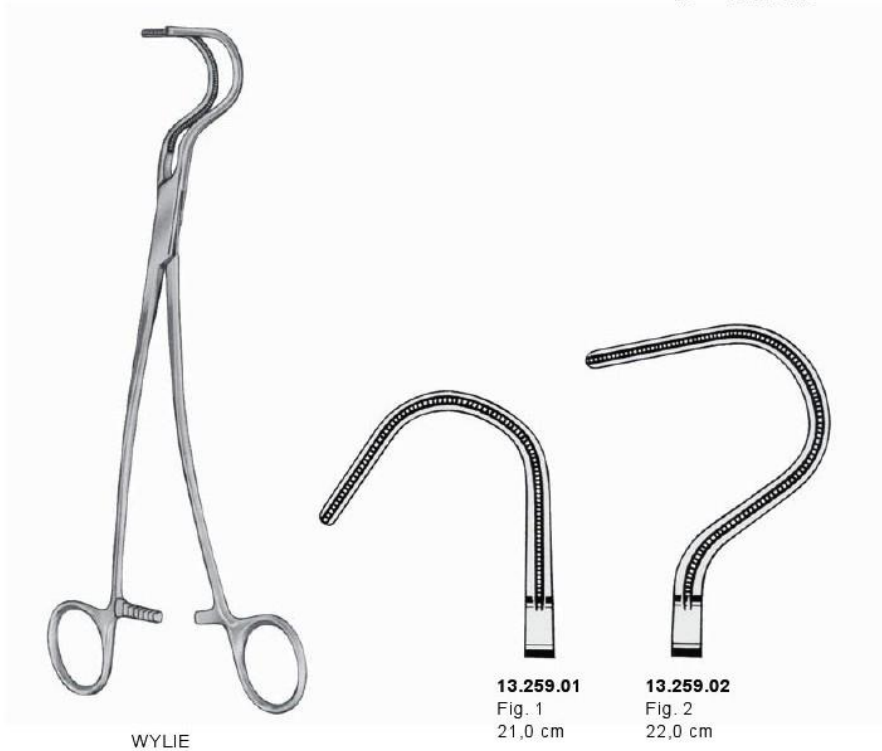


EDWARDS  
 13.258.00

Clips  
 Clips  
 Clips  
 Clips  
 Clips



mm	EDWARDS
6	<b>13.258.06</b>
12	<b>13.258.12</b>



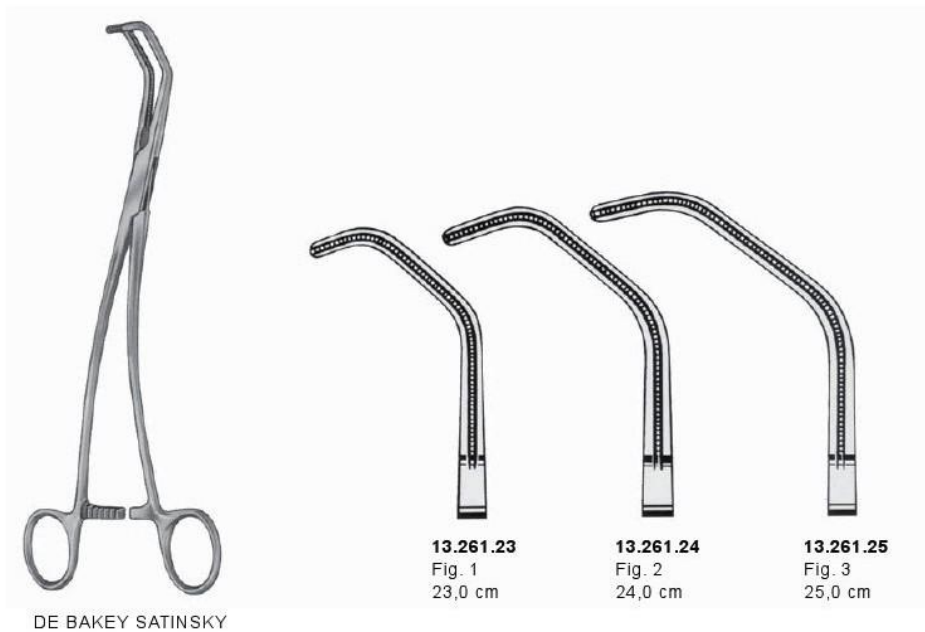
WYLIE

**13.259.01**  
 Fig. 1  
 21,0 cm

**13.259.02**  
 Fig. 2  
 22,0 cm

TRAUMATISCHE GEFÄß KLEMMEN  
TRAUMATIC HEMOSTATIC FORCEPS

Atraumatiche gefäß Klemmen  
Atraumatic hemostatic forceps  
Pincas hemostáticas atraumáticas  
Pinze emostatiche atraumatiche



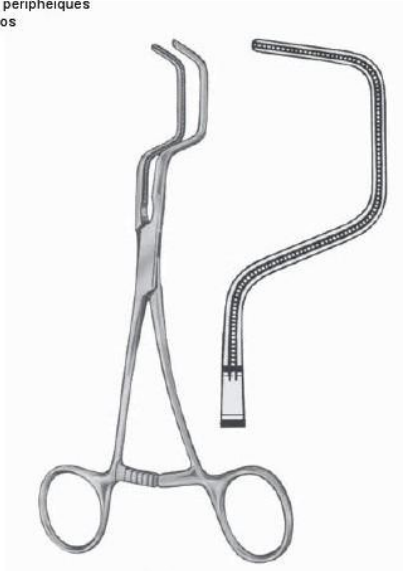


Atraumatische gefäß Klemmen  
Atraumatic hemostatic forceps  
Pincers hemostatiques atraumatiques  
Pinzas hemostáticas atraumáticas  
Pinze emostatiche atraumatiche

Aurikkelklemmen  
Auricle Clamps  
Pincers auriculaires  
Pinzas para auricula  
Pinze ventricolari

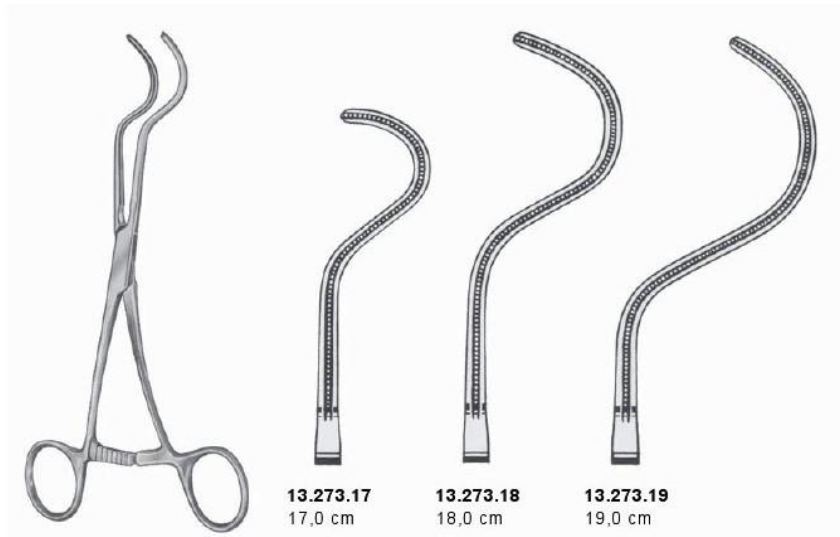


Peripheal-Gefäßklemmen  
 Peripheal Vascular Clamps  
 Pincés-clamp ps, vasculaires périphériques  
 Pinzas para vasos periféricos  
 Pinze vascolari periferali



DALE  
**13.271.18**  
 18,0 cm

Atraumatische gefäß Klemmen  
 Atraumatic hemostatic forceps  
 Pincés hemostatiques atraumatiques  
 Pinzas hemostáticas atraumáticas  
 Pinze emostatiche atraumatiche



DALE

**13.273.17**  
 17,0 cm

**13.273.18**  
 18,0 cm

**13.273.19**  
 19,0 cm

Atraumatiche gefäß Klemmen  
Atraumatic hemostatic forceps  
Pincas hemostatiques atraumaticas  
Pinzas hemostáticas atraumáticas  
Pinze emostatiche atraumatiche



DE BAKEY  
**13.281.17**  
17,0 cm



BECK  
**13.283.17**  
17,0 cm



DE BAKEY  
**13.285.24**  
24,0 cm

Präparier- und Ligaturklemmen  
Dissecting and Ligature Clamps  
Pincas à dissection et passe-fil  
Pinzas de discción y para ligaduras  
Pinze per dissezione e per legature



DE BAKEY  
**13.287.24**  
24,0 cm

Atraumatiche gefäß Klemmen  
Atraumatic hemostatic forceps  
Pinces hemostatiques atraumatiques  
Pinzas hemostáticas atraumáticas  
Pinze emostatiche atraumatiche

Atraumatiche Mehrzweckklemmen  
Atraumatic Multi-Purpose Clamps  
Pinces-clamps polyvalentes  
Pinzas clamps para usos varios  
Pinze atraumatiche per diversi usi



POTTS



13.288.21  
21,0 cm



13.288.23  
23,0 cm



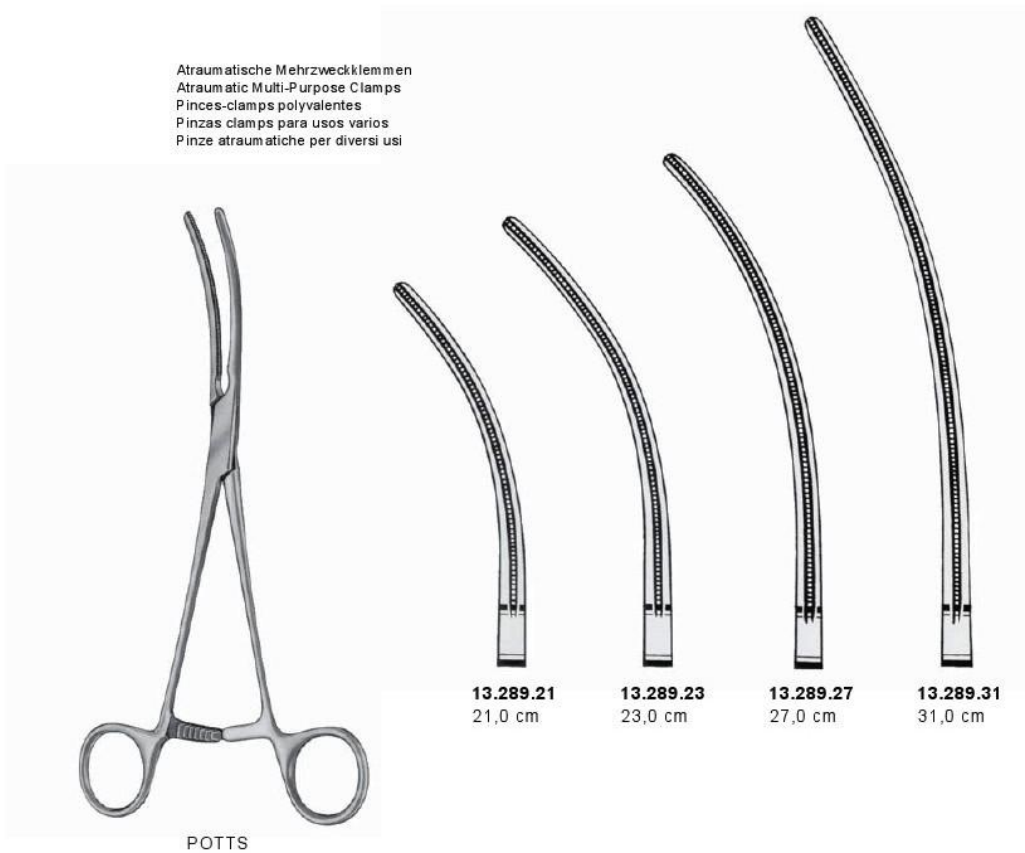
13.288.27  
27,0 cm



13.288.31  
31,0 cm

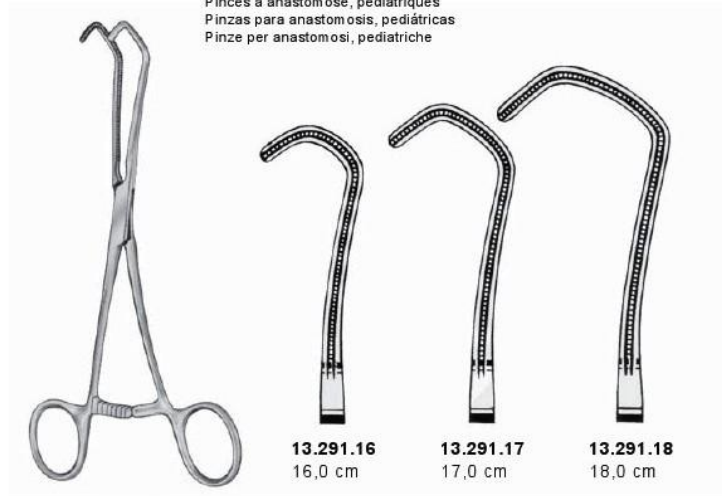
Atraumatiche gefäß Klemmen  
Atraumatic hemostatic forceps  
Pincers hemostatiques atraumatiques  
Pinzas hemostáticas atraumáticas  
Pinze emostatiche atraumatiche

Atraumatiche Mehrzweckklemmen  
Atraumatic Multi-Purpose Clamps  
Pincers-clamps polyvalentes  
Pinzas clamps para usos varios  
Pinze atraumatiche per diversi usi



Atraumatische gefäß Klemmen  
 Atraumatic hemostatic forceps  
 Pincès hemostatiques atraumatiques  
 Pinzas hemostáticas atraumáticas  
 Pinze emostatiche atraumatiche

Anastomosenklemmen, Kindergrößen  
 Anastomosis Clamps, Pediatric  
 Pincès à anastomose, pédiatriques  
 Pinzas para anastomosis, pediátricas  
 Pinze per anastomosi, pediatriche



DERRA

**13.291.16**  
16,0 cm

**13.291.17**  
17,0 cm

**13.291.18**  
18,0 cm

Atraumatische Mehrzweckklemmen  
 Atraumatic Multi-Purpose Clamps  
 Pincès-clamps polyvalentes  
 Pinzas clamps para usos varios  
 Pinze atraumatiche per diversi usi



DE BAKEY  
**13.302.16**  
16,0 cm



DE BAKEY  
**13.302.17**  
17,0 cm

Atraumatische gefäß Klemmen  
Atraumatic hemostatic forceps  
Pincas hemostatiques atraumaticas  
Pinzas hemostáticas atraumáticas  
Pinze emostatiche atraumatiche



DE BAKEY  
**13.303.15**  
15,0 cm



DE BAKEY  
**13.307.17**  
17,0 cm



DE BAKEY

**13.309.16**  
16,0 cm

**13.309.17**  
17,0 cm



Atraumatische gefäß Klemmen  
 Atraumatic hemostatic forceps  
 Pinces hemostatiques atraumatiques  
 Pinzas hemostáticas atraumáticas  
 Pinze emostatiche atraumatiche

Atraumatische Mehrzweckklemmen  
 Atraumatic Multi-Purpose Clamps  
 Pinces-clamps polyvalentes  
 Pinzas clamps para usos varios  
 Pinze atraumatiche per diversi usi



**13.311.14**  
14,0 cm

**13.311.15**  
15,0 cm

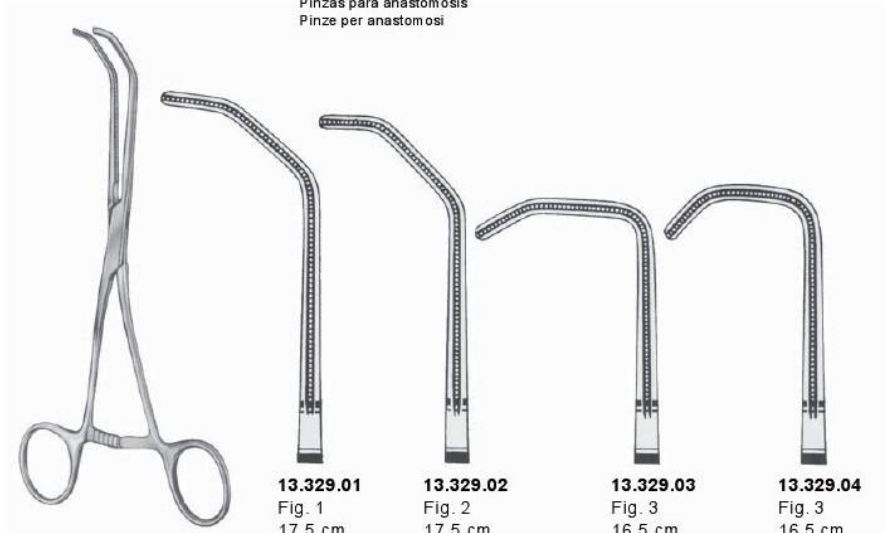
**13.311.16**  
16,0 cm

DE BAKEY



GLOVER  
**13.321.17**  
17,0 cm

Anastomosenklemmen  
 Anastomosis Clamps  
 Pinces à anastomose  
 Pinzas para anastomosis  
 Pinze per anastomosi



**13.329.01**  
Fig. 1  
17,5 cm

**13.329.02**  
Fig. 2  
17,5 cm

**13.329.03**  
Fig. 3  
16,5 cm

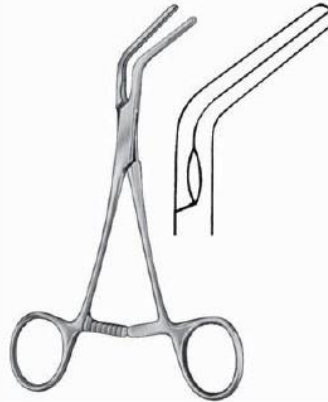
**13.329.04**  
Fig. 3  
16,5 cm

DE BAKEY REYNOLDS

Atraumatische gefäß Klemmen  
 Atraumatic hemostatic forceps  
 Pincés hemostáticos atraumáticos  
 Pinzas hemostáticas atraumáticas  
 Pinze emostatiche atraumatiche



SUBRAMANIAN  
**13.331.15**  
 15,0 cm



SUBRAMANIAN  
**13.333.16**  
 16,0 cm



SUBRAMANIAN  
**13.335.16**  
 16,0 cm



OCHSNER  
**13.337.23**  
 23,0 cm

Aortaklemmen  
 Aortic Clamp  
 Pince-clamp à aorte  
 Pinza clamp para aorta  
 Pinza per aorta



DIETRICH  
**13.339.21**  
 21,0 cm

Präparier- und Ligaturklemmen  
Dissecting and Ligature Clamps  
Pinces à dissection et passe-fil  
Pinzas de disección y para ligaduras  
Pinze per dissezione e per legature



DE BAKEY



**13.341.19**  
19,0 cm



**13.341.20**  
20,0 cm



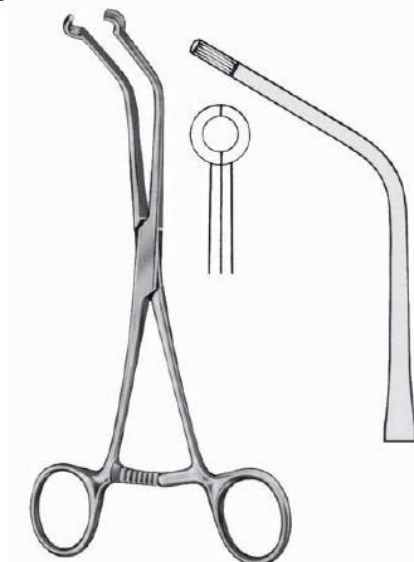
**13.341.23**  
23,0 cm

Atraumatische gefäß Klemmen  
Atraumatic hemostatic forceps  
Pinces hemostatiques atraumatiques  
Pinzas hemostáticas atraumáticas  
Pinze emostatiche atraumatiche

Carotis-Shuntklemmen  
Carotid Shunt Clamps  
Pinces pour carotide  
Pinzas para shunt carótido  
Pinze carotis



JAVID  
**13.343.18**  
18,0 cm

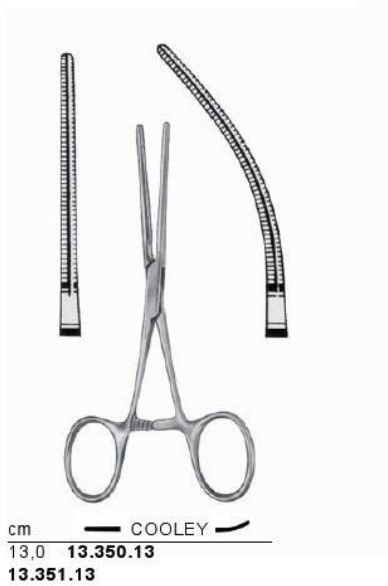
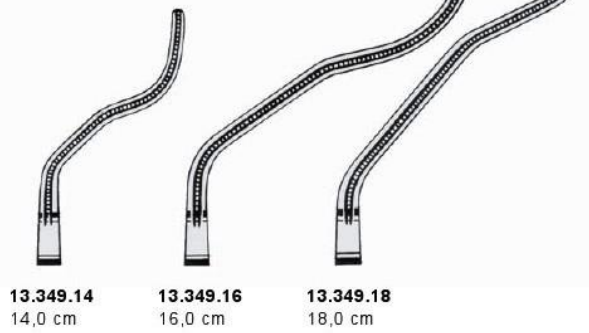


JAVID  
**13.343.19**  
19,0 cm

Atraumatische gefäß Klemmen  
 Atraumatic hemostatic forceps  
 Pincas hemostatiques atraumaticas  
 Pinzas hemostáticas atraumáticas  
 Pinze emostatiche atraumatiche



Profunda-Klemmen  
 Profunda Clamps  
 Pincas-clamps pour profunda  
 Pinzas clamps para profunda  
 Pinze per profunda



TRAUMATISCHE GEFÄßKLEMMEN  
TRAUMATIC HEMOSTATIC FORCEPS

Atraumatische gefäß Klemmen  
Atraumatic hemostatic forceps  
Pinces hemostatiques atraumatiques  
Pinzas hemostáticas atraumáticas  
Pinze emostatiche atraumatiche



COOLEY  
**13.357.12**  
12,5 cm



COOLEY  
**13.359.10**  
10,5 cm

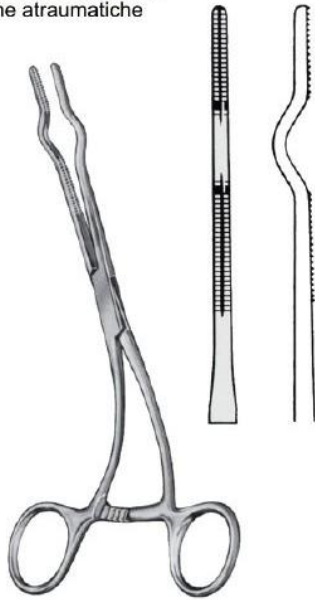


COOLEY  
**13.361.12**  
12,0 cm

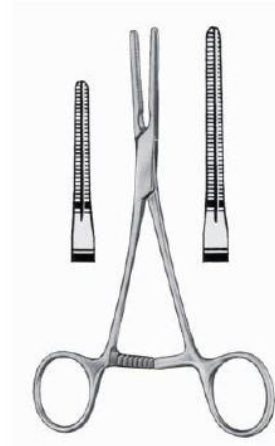


COOLEY  
**13.363.13**  
13,5 cm

Atraumatische gefäß Klemmen  
 Atraumatic hemostatic forceps  
 Pincès hemostatiques atraumatiques  
 Pinzas hemostáticas atraumáticas  
 Pinze emostatiche atraumatiche



Fr./Charrière	COOLEY
24	13.371.24
26	13.371.26
28	13.371.28
30	13.373.30
32	13.373.32
36	13.373.36



cm	COOLEY
14,0	13.376.14
	13.377.14
16,0	13.376.16
	13.377.16



COOLEY  
 13.379.14  
 14,0 cm



COOLEY  
 13.380.14  
 14,0 cm



COOLEY  
 13.381.14  
 14,0 cm

Atraumatische gefäß Klemmen  
Atraumatic hemostatic forceps  
Pinces hemostatiques atraumatiques  
Pinzas hemostáticas atraumáticas  
Pinze emostatiche atraumatiche



COOLEY  
13.405.27  
27,0 cm

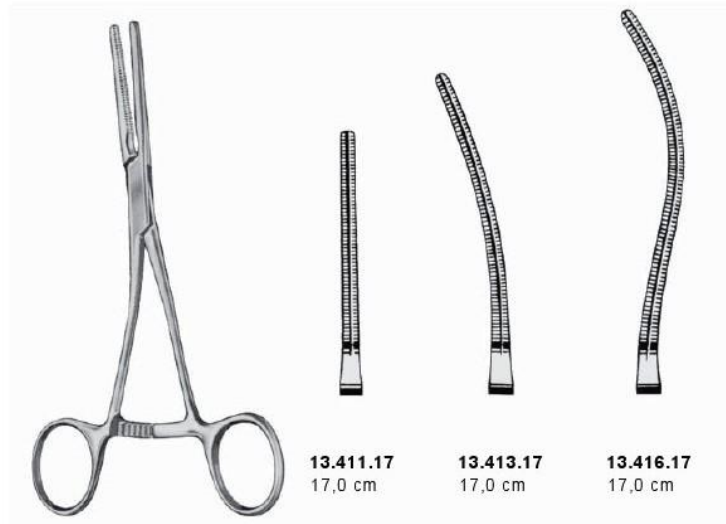


COOLEY  
13.410.17  
17,0 cm



**Atraumatische gefäß Klemmen**  
**Atraumatic hemostatic forceps**  
**Pinces hemostatiques atraumatiques**  
**Pinzas hemostáticas atraumáticas**  
**Pinze emostatiche atraumatiche**

Atraumatische Mehrzweckklemmen  
 Atraumatic Multi-Purpose Clamps  
 Pinces-clamps polyvalentes  
 Pinzas clamps para usos varios  
 Pinze atraumatiche per diversi usi



**13.411.17**  
17,0 cm

**13.413.17**  
17,0 cm

**13.416.17**  
17,0 cm

COOLEY

**Iliaca-Klemmen**  
**Iliac Clamps**  
**Pinces-clamps à iliaque**  
**Pinzas clamps para iliaca**  
**Pinze per iliaca**



COOLEY  
**13.417.21**  
 21,5 cm

**Anastomosenklemmen**  
**Anastomosis Clamps**  
**Pinces à anastomose**  
**Pinzas para anastomosis**  
**Pinze per anastomosi**



COOLEY  
**13.419.17**  
 17,0 cm

Atraumatische gefäß Klemmen  
 Atraumatic hemostatic forceps  
 Pincas hemostaticas atraumaticas  
 Pinzas hemostáticas atraumáticas  
 Pinze emostatiche atraumatiche



Atraumatische gefäß Klemmen  
 Atraumatic hemostatic forceps  
 Pinzas hemostáticas atraumáticas  
 Pinzas hemostáticas atraumáticas  
 Pinze emostatiche atraumatiche

Atraumatische Mehrzweckklemmen  
 Atraumatic Multi-Purpose Clamps  
 Pinzas-clamps polyvalentes  
 Pinzas clamps para usos varios  
 Pinze atraumatiche per diversi usi

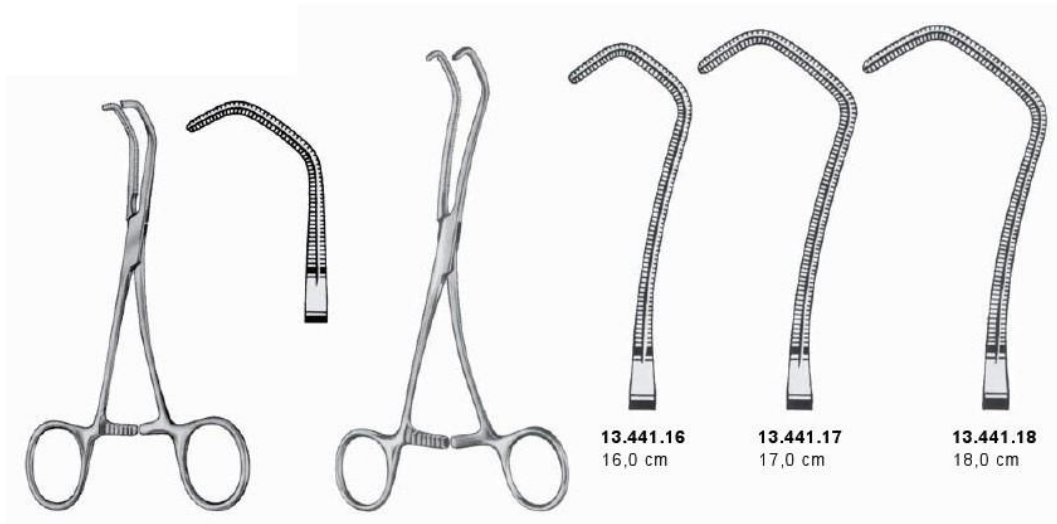


COOLEY  
**13.431.25**  
 16,5 cm

COOLEY  
**13.431.45**  
 16,5 cm

COOLEY  
**13.431.90**  
 16,5 cm

Anastomosenklemmen  
 Anastomosis Clamps  
 Pinzas à anastomose  
 Pinzas para anastomosis  
 Pinze per anastomosi



COOLEY  
**13.433.14**  
 14,0 cm

COOLEY DERRA

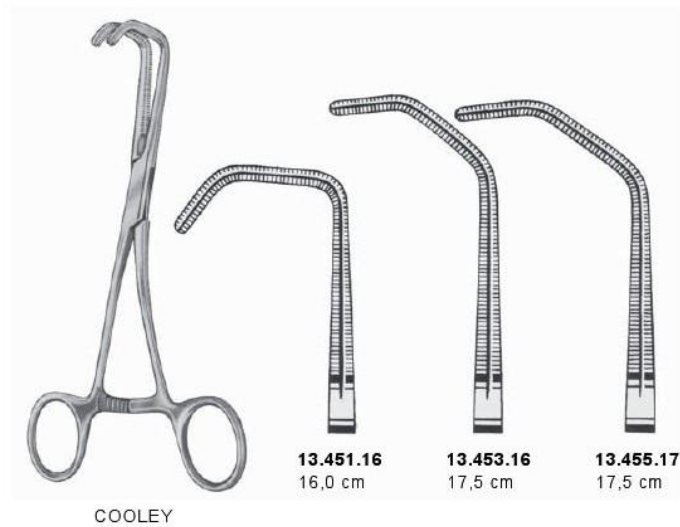
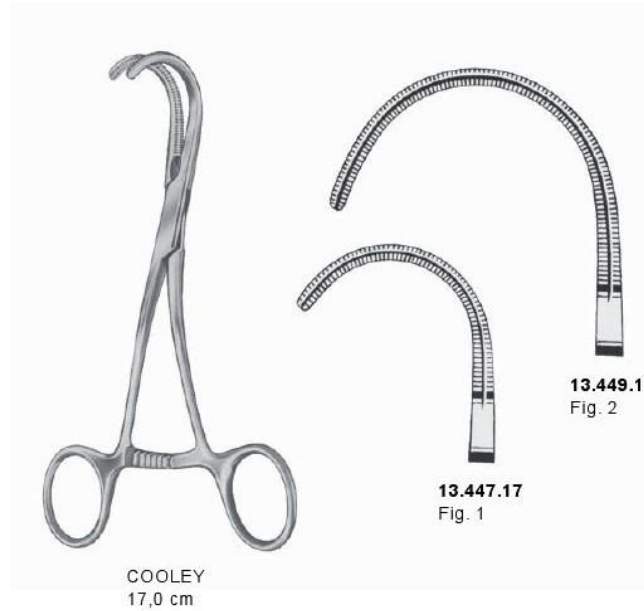
**13.441.16**  
 16,0 cm

**13.441.17**  
 17,0 cm

**13.441.18**  
 18,0 cm

Anastomosenklemmen  
Anastomosis Clamps  
Pinces à anastomose  
Pinzas para anastomosis  
Pinze per anastomosi

Atraumatische gefäß Klemmen  
Atraumatic hemostatic forceps  
Pinces hemostatiques atraumatiques  
Pinzas hemostáticas atraumáticas  
Pinze emostatiche atraumatiche



Atraumatische gefäß Klemmen  
Atraumatic hemostatic forceps  
Pincers hemostatiques atraumatiques  
Pinzas hemostáticas atraumáticas  
Pinze emostatiche atraumatiche



COOLEY  
13.457.17  
17,0 cm



COOLEY  
13.461.17  
17,0 cm



COOLEY  
13.465.18  
18,0 cm



COOLEY  
13.465.19  
19,0 cm



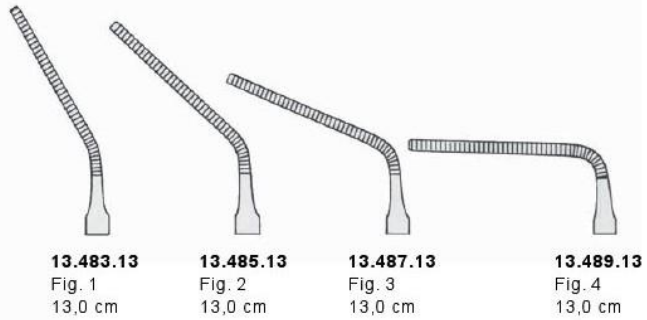
COOLEY  
13.465.26  
26,0 cm



COOLEY  
13.467.27  
27,0 cm

Atraumatische gefäß Klemmen  
 Atraumatic hemostatic forceps  
 Pinces hemostatiques atraumatiques  
 Pinzas hemostáticas atraumáticas  
 Pinze emostatiche atraumatiche

Neonatal- und Kinderklemmen, extra feine Modelle  
 Neonatal and Childrens Clamps, extra delicate patterns  
 Pinces-clamps pour des nouveaux-nés et des enfants, modèles très fins  
 Pinzas clamps para recién nacidos y niños, modelos muy finos  
 Pinze pediatriche, modelli molto fini





**Atraumatische gefäß Klemmen**  
**Atraumatic hemostatic forceps**  
**Pinces hemostatiques atraumatiques**  
**Pinzas hemostáticas atraumáticas**  
**Pinze emostatiche atraumatiche**

Kinder-Gefäßklemmen  
 Pediatric Vascular Clamp  
 Pinces vasculaires pédiatriques  
 Pinzas vasculares pediátricas  
 Pinze vascolari pediatriche



gerade  
 straight  
 droites  
 rectas  
 rette

**13.502.01 - 13.502.09**  
 Fig. 1-9



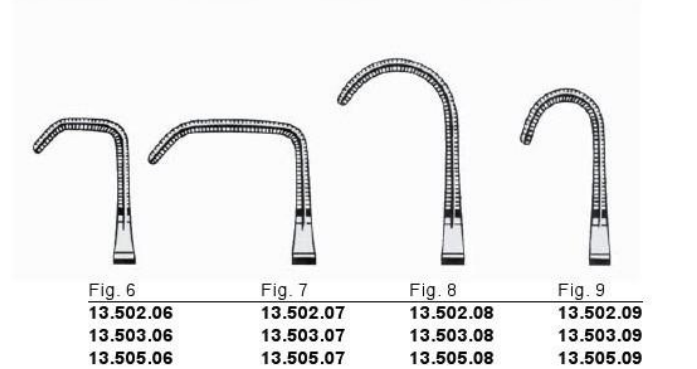
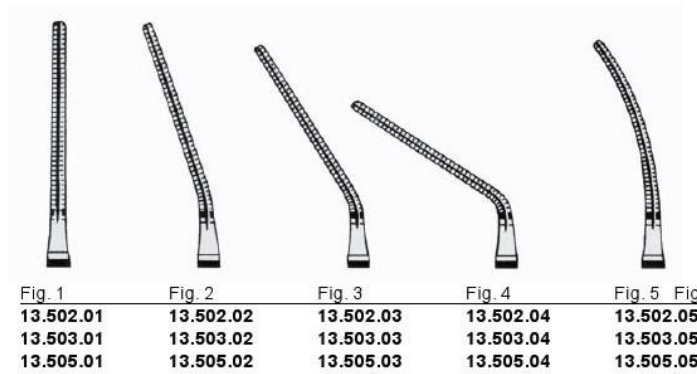
abgewinkelt  
 angled  
 coudées  
 acodadas  
 angolari

**13.503.01 - 13.503.09**  
 Fig. 1-9



stark abgewinkelt  
 strongly angled  
 fortement coudées  
 fuertemente acodadas  
 fortemente angolari

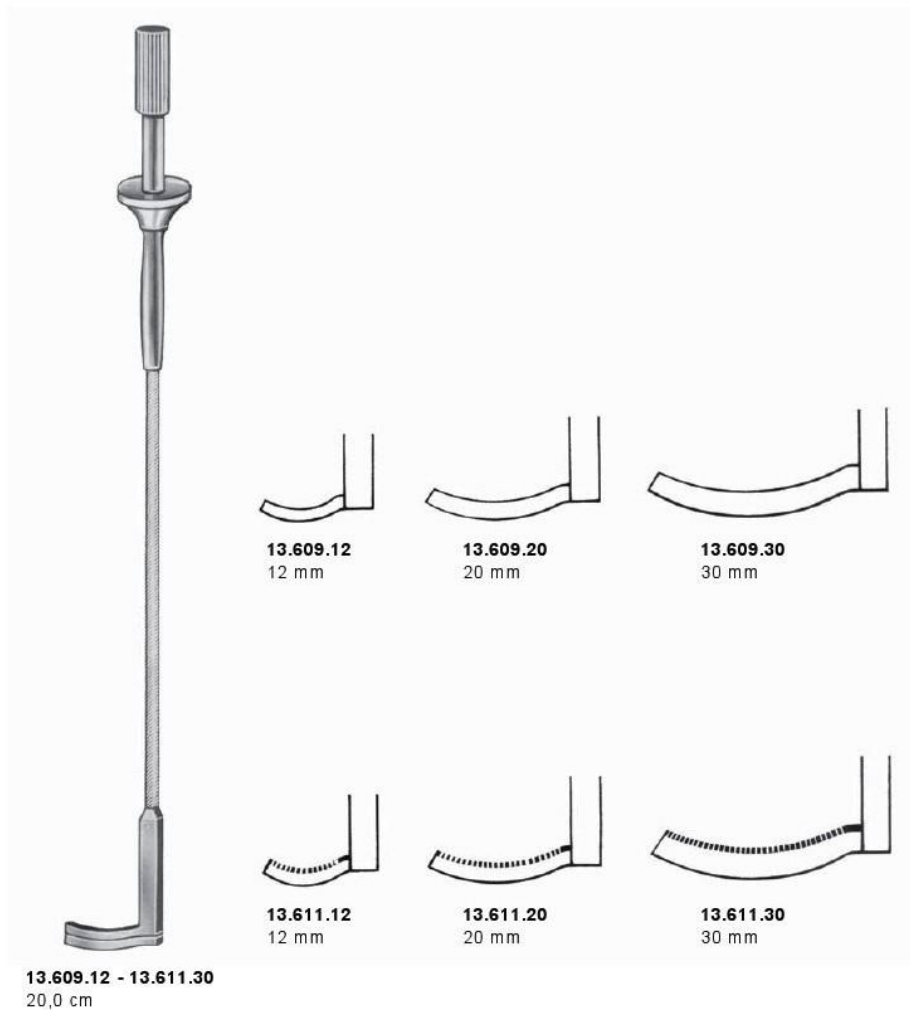
**13.505.01 - 13.505.09**  
 Fig. 1-9





Flexible Gefäßklammer  
Flexible vascular clamp

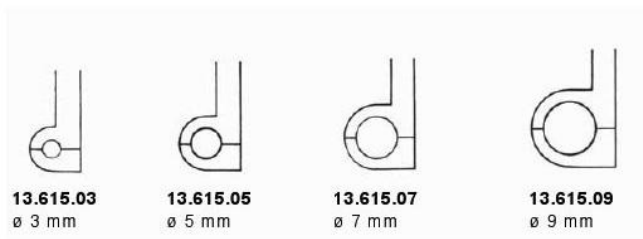
Flexible gefäßKlemmen  
Flexible vassel clamps  
Pinces vasculaires flexibles  
Pinzas vasculares flexibles  
Pinze vascolari flessibili



Flexible gefäßKlemmen  
Flexible vassel clamps  
Pinces vasculaires flexibles  
Pinzas vasculares flexibles  
Pinze vascolari flessibili



13.615.03 - 13.615.09



13.615.03  
ø 3 mm

13.615.05  
ø 5 mm

13.615.07  
ø 7 mm

13.615.09  
ø 9 mm